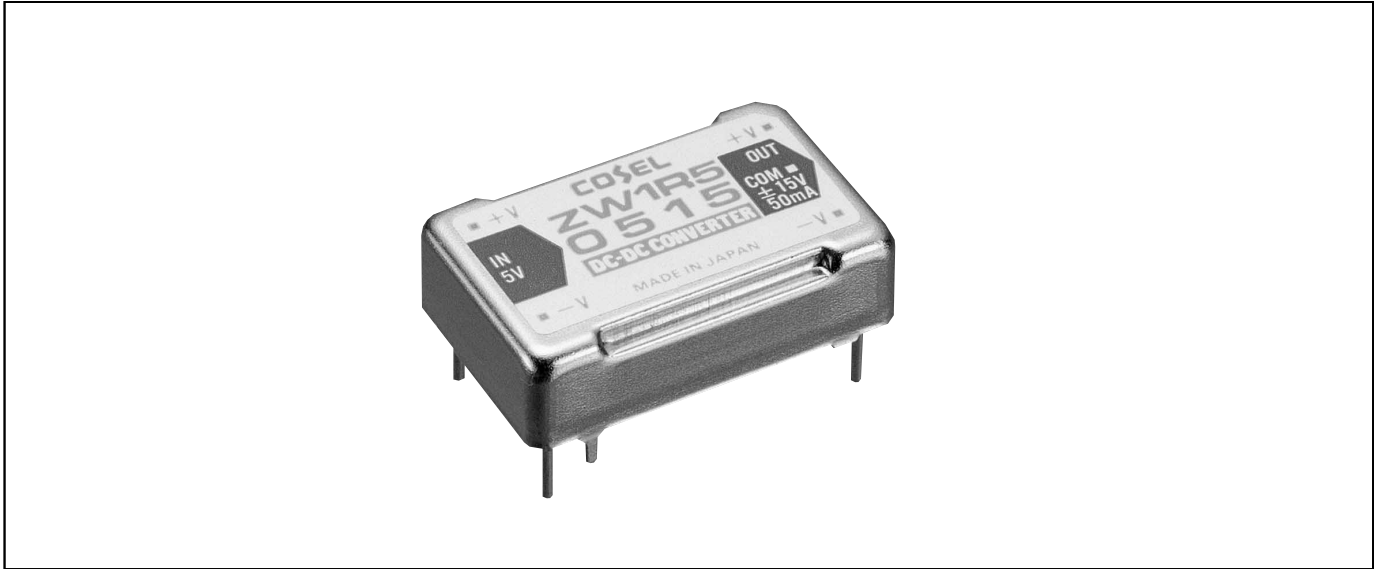


ZW1R5

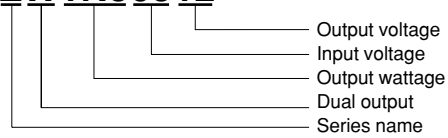


Z Series DC-DC converter designed for small size and high reliability

- Isolated between input-output
- Built-in overcurrent protection circuit
- Small and compact size
- Five-year warranty

ORDERING INFORMATION

ZW1R50512



SPECIFICATIONS

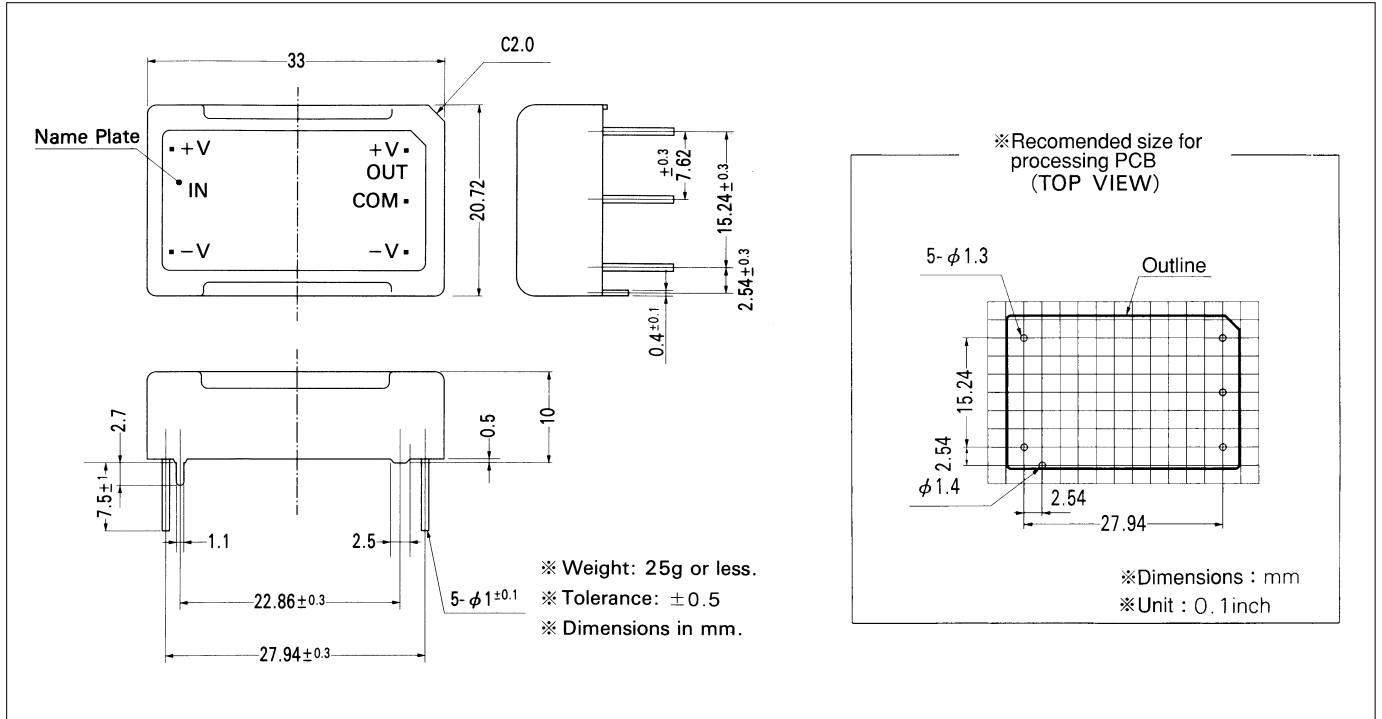
Output pins can be connected in series to make a 24V/30V output.

MODEL		ZW1R50512	ZW1R50515	ZW1R51212	ZW1R51215	ZW1R52412	ZW1R52415	ZW1R54812	ZW1R54815
INPUT	VOLTAGE [V]	5 (4.5~6.0)		12 (10~15)		24 (20~30)		48 (35~63)	
	EFFICIENCY [%]	60 typ		65 typ		65 typ		65typ	
Z OUTPUT	VOLTAGE [V]	±12 (+24)	±15 (+30)	±12 (+24)	±15 (+30)	±12 (+24)	±15 (+30)	±12 (+24)	±15 (+30)
	CURRENT [A]	0.06	0.05	0.06	0.05	0.06	0.05	0.06	0.05
	LINE REGULATION [mV]	60max	75max	60max	75max	60max	75max	60max	75max
	LOAD REGULATION [mV]	600max	750max	600max	750max	600max	750max	600max	750max
	RIPPLE [mVp-p]	120max		120max		120max		120max	
	RIPPLE NOISE [mVp-p]	120max		120max		120max		120max	
	TEMPERATURE COEFFICIENT [mV] 0~+50°C	120max	150max	120max	150max	120max	150max	120max	150max
	OUTPUT VOLTAGE SET(FIXED) [%]	±5max (Rated input/output, Ta=25°C)							
PROTECTION CIRCUIT	OVERCURRENT PROTECTION	Works over 105% of rating and recovers automatically							
ISOLATION	INPUT, OUTPUT, CASE	AC500V, 1 minute, Cutoff current=10mA, DC500V, 50MΩ.min. (At Room Temperature)							
ENVIRONMENT	OPERATING TEMP. AND HUMID.	-10~+60°C, 20~90%RH (Non condensing) (Refer to DERATING CURVE)							
	STORAGE TEMP. AND HUMID.	-20~+75°C, 20~90%RH (Non condensing)							
	VIBRATION	10~55Hz, 2G, 3 minutes period, 30 minutes along X, Y and Z axis							
	IMPACT	50G, 11ms, once on each X, Y and Z axis							

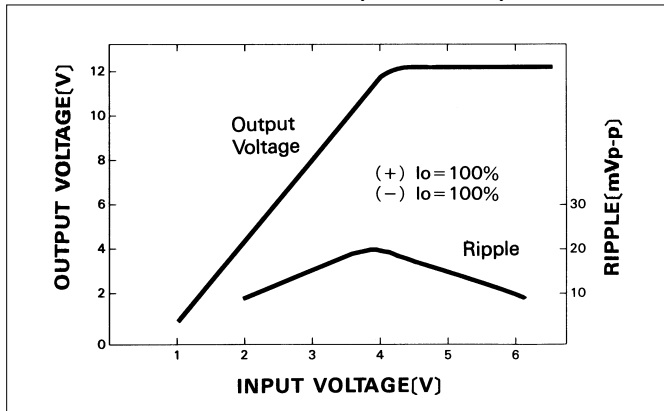
※ The output specification is at ±12V and ±15V.
 ※ Parallel operation with other model is not possible.

MODEL	ZW1R5	ZW1R5
	0512 1212 2412 4812	0515 1215 2415 4815
MAX OUTPUT WATTAGE	1.44W	1.50W
DC OUTPUT VOLTAGE	±12V(+24V)	±15V(+30V)
DC OUTPUT CURRENT	0.06A	0.05A

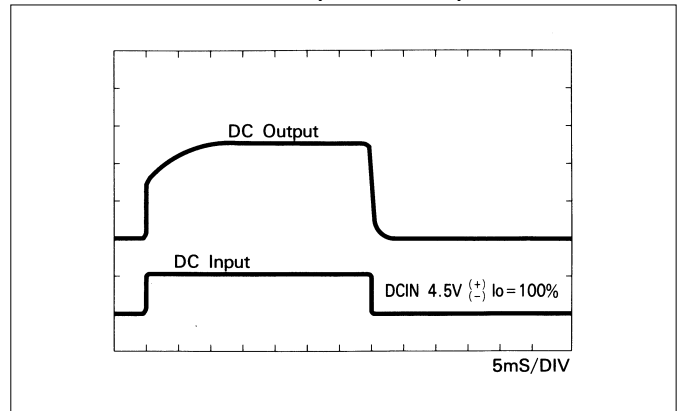
EXTERNAL VIEW



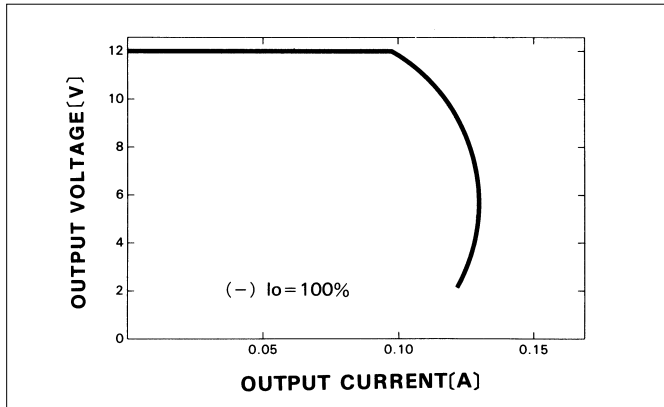
STATIC CHARACTERISTICS (ZW1R50512)



RISE TIME & FALL TIME (ZW1R50512)



OVERCURRENT CHARACTERISTICS (ZW1R50512)



DERATING CURVE

