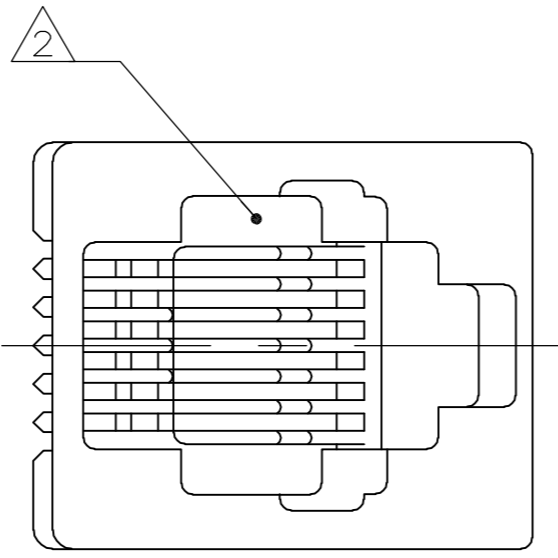


THIS DRAWING IS UNPUBLISHED. RELEASED FOR PUBLICATION
 © COPYRIGHT BY TYCO ELECTRONICS CORPORATION. ALL RIGHTS RESERVED.

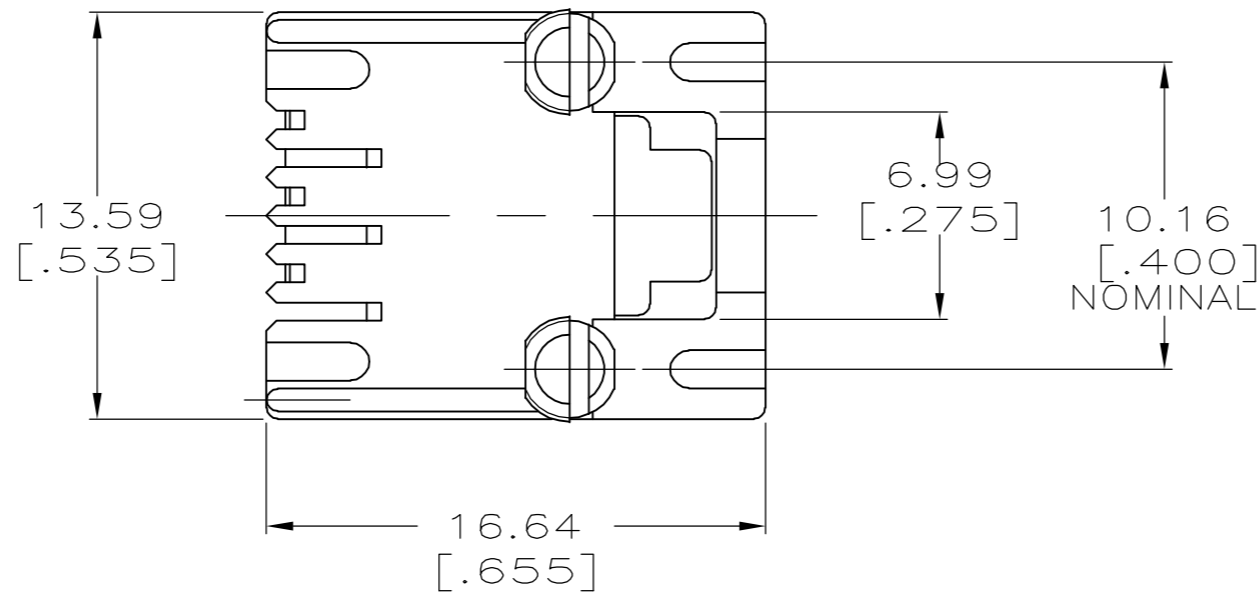
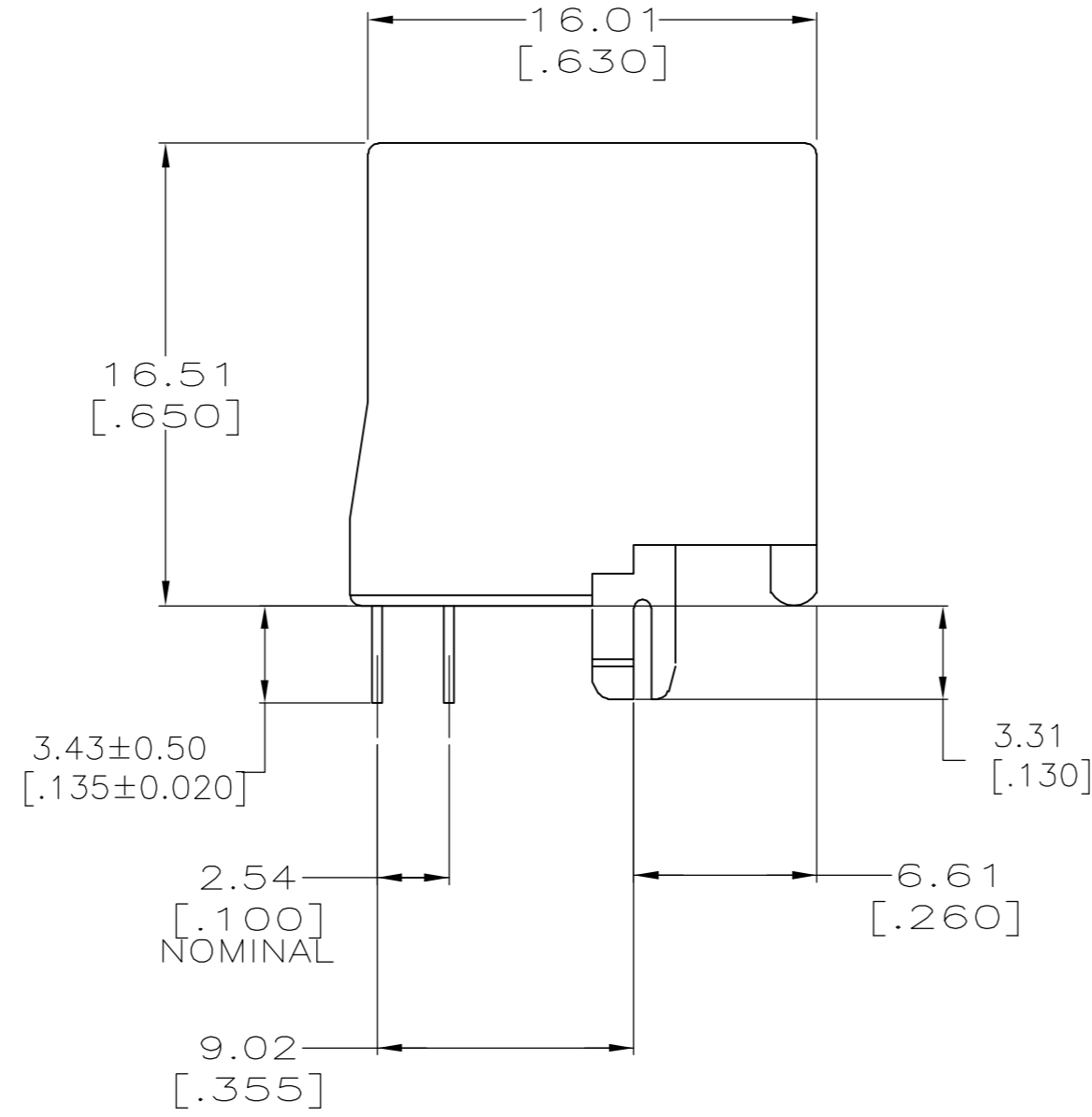
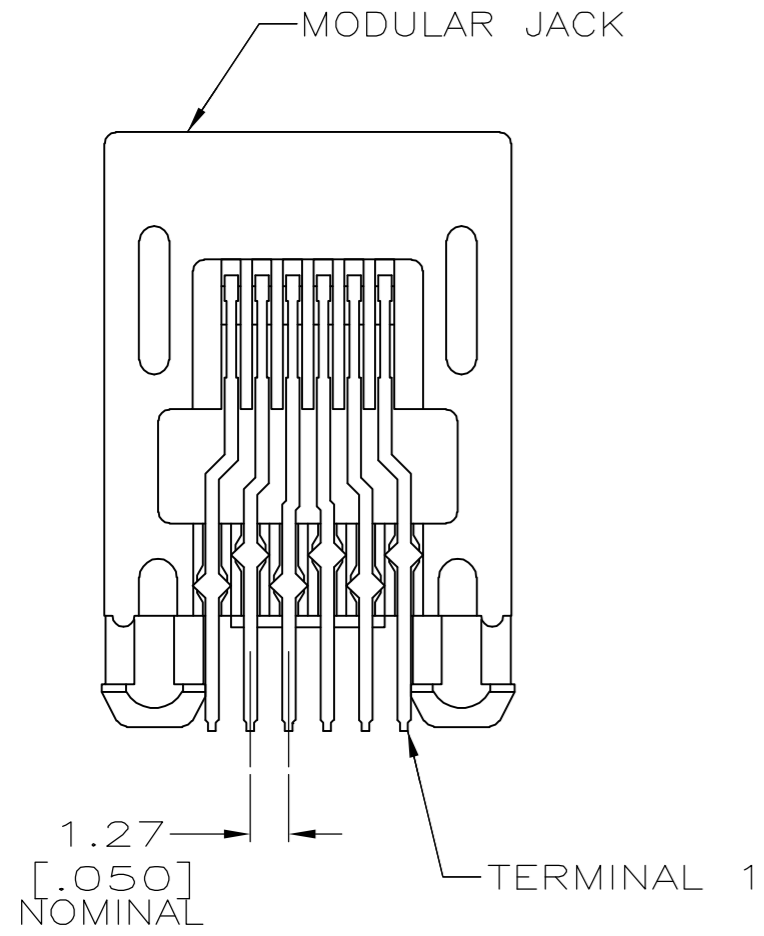
LOC	DIST	REVISIONS					
AA	00	P	LTR	DESCRIPTION	DATE	DWN	APVD
		B		ECO-06-010340	05MAY2006	LAM	JW

digkey A31415-ND



- MATERIAL:
 HOUSING - PBT POLYESTER BLACK.
 TERMINAL - PHOS-BRONZE PLATED WITH 1.27μm [.000050] THICK HARD GOLD IN LOCALIZED GOLD PLATE AREA AND 2.03μm [.000080] THICK MATTE TIN IN SOLDER AREA AVER 1.27μm [.000050] THICK NICKEL UNDERPLATE.

- ⚠ CAVITY CONFORMS TO FCC RULES AND REGULATIONS PART 68 AND REA BULLETIN 345-.81 PE-76 SPECIFICATION FOR MODULAR TELEPHONE HARDWARE.
- ⚠ DIMENSION ARE MAXIMUM UNLESS OTHERWISE SPECIFIED.
- ⚠ BULK PACKAGED IN A TRAY
- ⚠ 34 ASSEMBLIES PACKAGED IN A TUBE.



⚠	QUANTITY	PART NUMBER
⚠5	6	5520425-4
⚠4	6	5520425-3
⚠4	4	5520425-2
⚠5	PACKAGED	TERMINALS
		PART NUMBER

THIS DRAWING IS A CONTROLLED DOCUMENT.		DWN R.GRZYBOWSKI 04MAY05	Tyco Electronics Corporation Harrisburg, Pa 17105-3608	
DIMENSIONS: mm		CHK S.FLICKINGER 04MAY05		
TOLERANCES UNLESS OTHERWISE SPECIFIED:		APVD S.FLICKINGER 04MAY05	NAME	
0 PLC ± - 1 PLC ± - 2 PLC ± - ⚠3 3 PLC ± - 4 PLC ± - ANGLES ± - FINISH ± -		PRODUCT SPEC 108-1392	MODULAR JACK ASSEMBLY, TOP ENTRY, 6 POSITION, WITHOUT PANEL STOPS	
MATERIAL SEE NOTE 1		APPLICATION SPEC 114-2048	SIZE A2	CAGE CODE 00779
		WEIGHT -	DRAWING NO C=5520425	RESTRICTED TO -
		CUSTOMER DRAWING	SCALE 4:1	SHEET 1 OF 1 REV B